

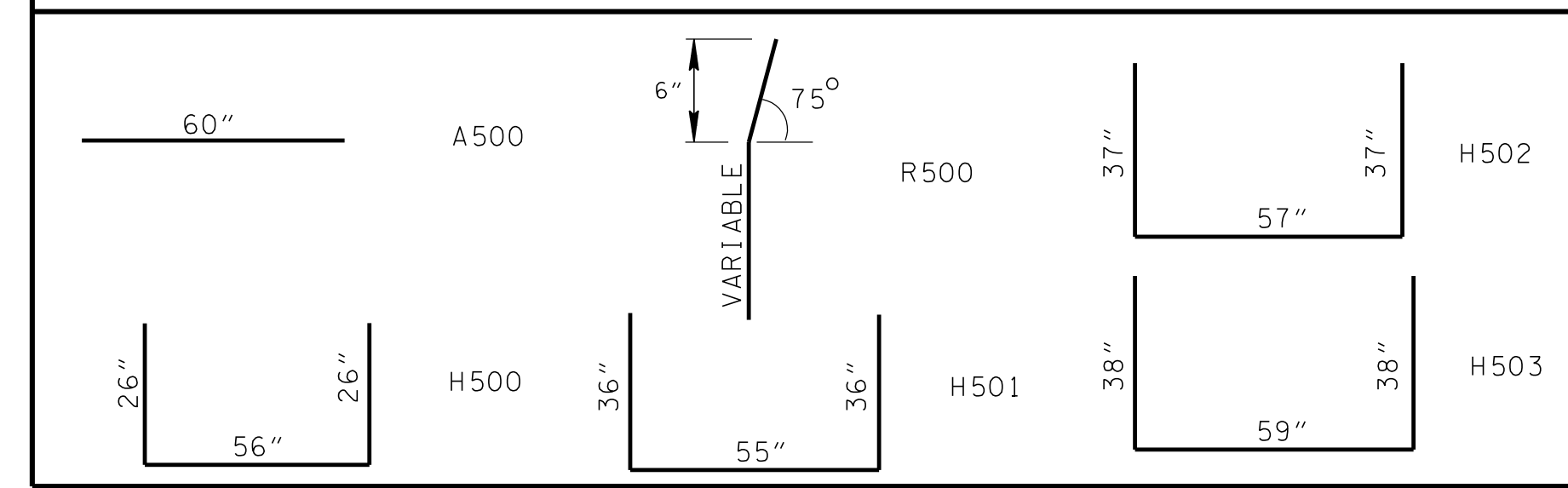
REV. 10-26-98: CHANGED STEEL BARS ON GRATE UNIT FROM 1" X 4.25" TO 1" X 4.50".

REV. 1-19-99: MODIFIED CATCH BASIN MINIMUM DEPTH TABLE.

REV. 5-27-01: CHANGED PAY ITEMS IN GENERAL NOTE ①. ADDED CATCH BASIN MAXIMUM DEPTH NOTE.

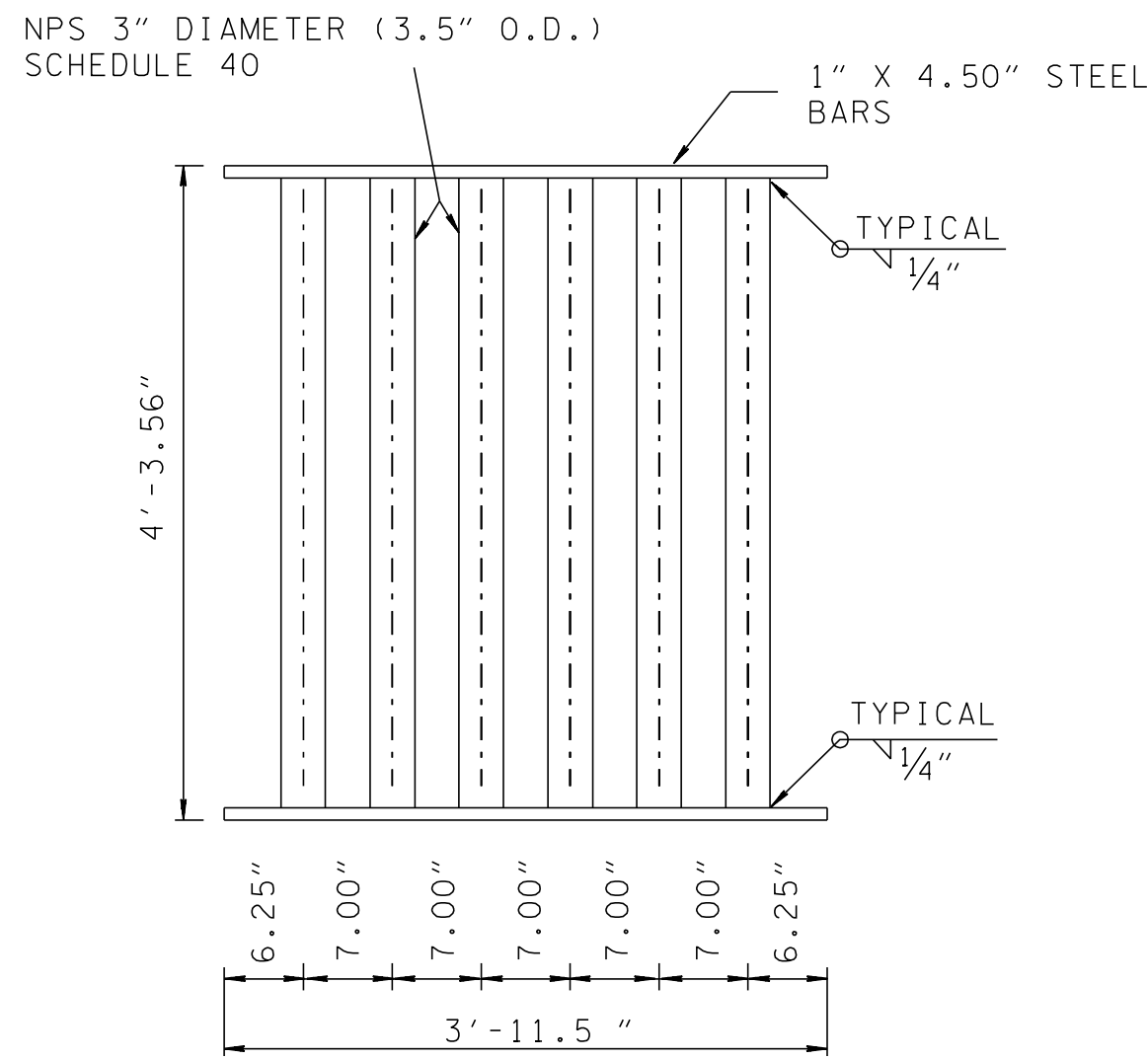
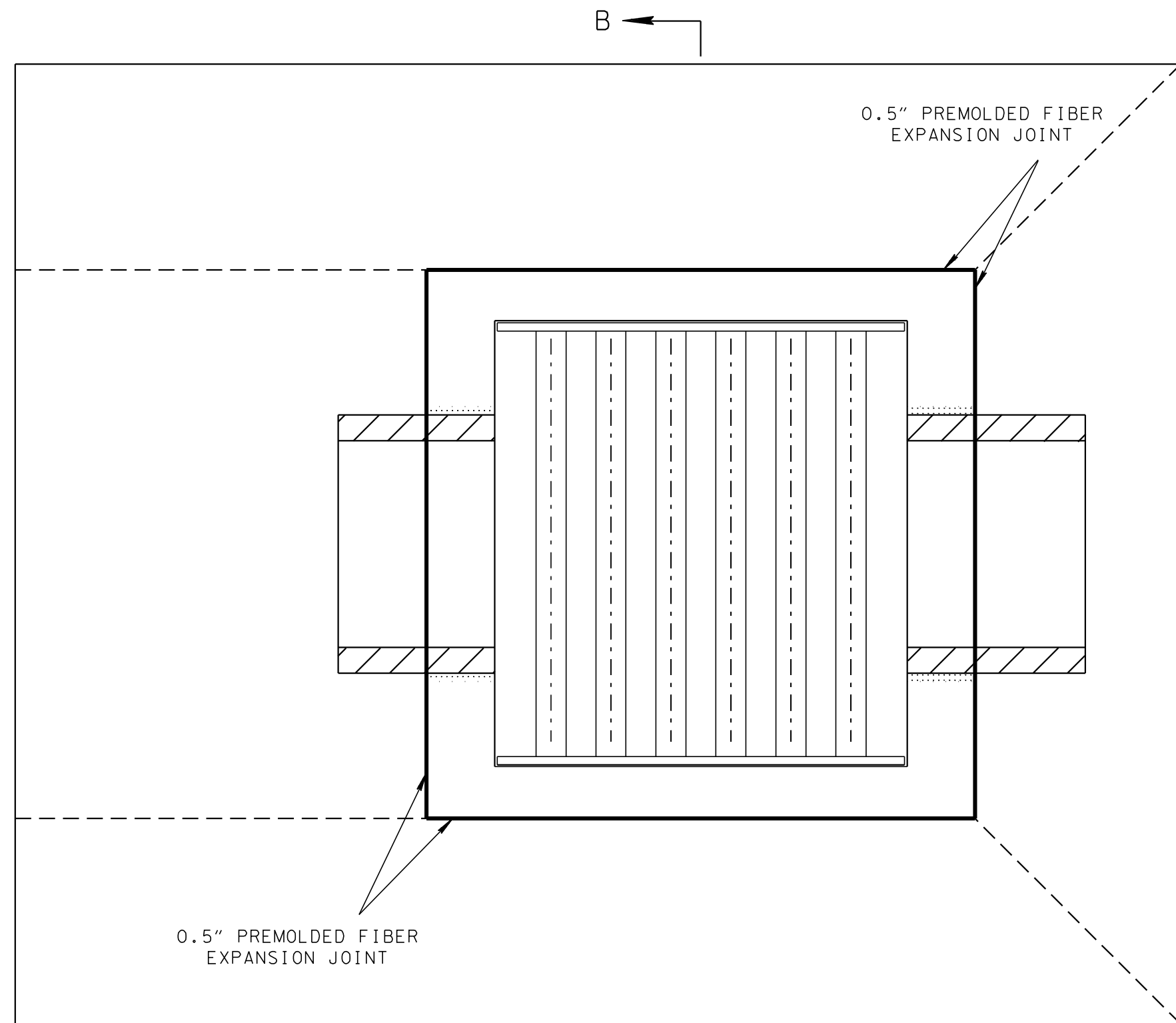
REV. 7-29-02: CHANGED ASTM SPECIFICATION IN GENERAL NOTE ②.

### REINFORCING STEEL LEGEND



### GENERAL NOTES

- (A) DRAWING TO BE USED FOR ALL CAST-IN-PLACE NO. 39 CONCRETE CATCH BASINS AND ALL PRECAST NO. 39 CONCRETE CATCH BASINS.
- (B) CAST-IN-PLACE CONCRETE CATCH BASINS SHALL BE CONSTRUCTED IN ACCORDANCE WITH STANDARD SPECIFICATIONS, SECTION 611 AND/OR SPECIAL PROVISIONS.
- (C) THE CONTRACTOR MAY WITH PERMISSION FROM THE ENGINEER SUBSTITUTE PRECAST CATCH BASINS FOR CAST-IN-PLACE CATCH BASINS PROVIDED THAT ALL PRECAST ELEMENTS MEET ASTM M913 (CURRENT EDITION) UNLESS SUPERSEDED BY THIS DRAWING.  
 CONCRETE:  $F_c = 4,000$  POUNDS PER SQUARE INCH AT 28 DAYS  
 REINFORCING STEEL: ASTM A615,  $F_y = 60,000$  POUNDS PER SQUARE INCH  
 ALL REINFORCING IS TO BE INSTALLED AS DETAILED ON THIS DRAWING.
- (D) PRECAST CATCH BASIN UNITS WHICH ARE DAMAGED DURING SHIPMENT OR INSTALLATION WILL BE REJECTED. IT SHALL BE THE RESPONSIBILITY OF THE CONTRACTOR TO REPLACE DAMAGED CATCH BASIN UNITS AT HIS OWN EXPENSE.
- (E) ADDITIONAL REINFORCING STEEL NECESSARY ABOVE THE CORED OR FORMED CUT-OUT HOLES TO MAINTAIN THE INTEGRITY OF THE STRUCTURE DURING HANDLING AND PLACEMENT SHALL BE THE RESPONSIBILITY OF THE FABRICATOR.
- (F) APPROPRIATE SIZING AND LOCATION OF LIFTING DEVICES SHALL BE THE RESPONSIBILITY OF THE FABRICATOR TO ASSURE BALANCED HANDLING DURING INSTALLATION OF THE CATCH BASIN.
- (G) THE CONTRACTOR IS TO PATCH ALL LIFTING DEVICE HOLES AND PLACE A MINIMUM OF ONE (1) INCH OF COVER OVER THE HARDWARE OF THESE DEVICES ON BOTH TOP AND BOTTOM SURFACES.
- (H) INVERT ELEVATIONS ARE TO BE ADJUSTED AS DIRECTED BY THE ENGINEER IN ORDER TO ACCOMMODATE INLET AND OUTLET PIPES.
- (I) CONCRETE JOINT MATERIAL TO BE 1/2" PREMOLDED FIBER IN ACCORDANCE WITH SECTION 905 OF STANDARD SPECIFICATIONS.
- (J) PAYMENT FOR CATCH BASIN WILL BE MADE UNDER ITEM NUMBERS 611-39.01 CATCH BASINS, TYPE 39, 0'-4' DEPTH THROUGH 611-39.07 CATCH BASINS, TYPE 39, > 24'-28" DEPTH PER EACH. WHEN CONCRETE APRON IS USED, IT IS TO BE INCLUDED IN THE PRICE BID PER CATCH BASIN.



### GRATE UNIT NO. 39

GRATE UNIT IS STRUCTURALLY DESIGNED TO CARRY LOW SPEED MAINTENANCE VEHICLES ONLY.

NOTE: MATERIAL FOR GRATE SPECIFICATIONS FOR STEEL BARS SHALL CONFORM TO ASTM A36. FOR THE PIPE CROSS MEMBERS, ASTM A53 TYPE E OR S GRADE A OR B. THE GRATE UNIT SHALL BE PAINTED BLACK, FEDERAL SPEC. TT-E-489G.

WELDING: AWS SPECIFICATIONS D1.1-72 AS MODIFIED BY THE CURRENT AASHTO STD. SPECIFICATIONS FOR WELDING OF HIGHWAY BRIDGES.

### CATCH BASIN PIPE SIZE TABLE

| MAX INLET OR OUTLET CONC. PIPE SIZE-STR. (INCHES) | MAX INLET OR OUTLET CONC. PIPE SIZE-90° (INCHES) |
|---|--|
| 36  | 30   |

### CATCH BASIN MAXIMUM DEPTH NOTE

MAXIMUM DEPTH FOR THIS STRUCTURE IS 28.00'. WHEN DEPTH REQUIREMENTS EXCEED THIS DEPTH THE CONTRACTOR IS TO USE OTHER VERSIONS OF THE NO. 39 CATCH BASIN.

### CATCH BASIN MINIMUM DEPTH TABLE

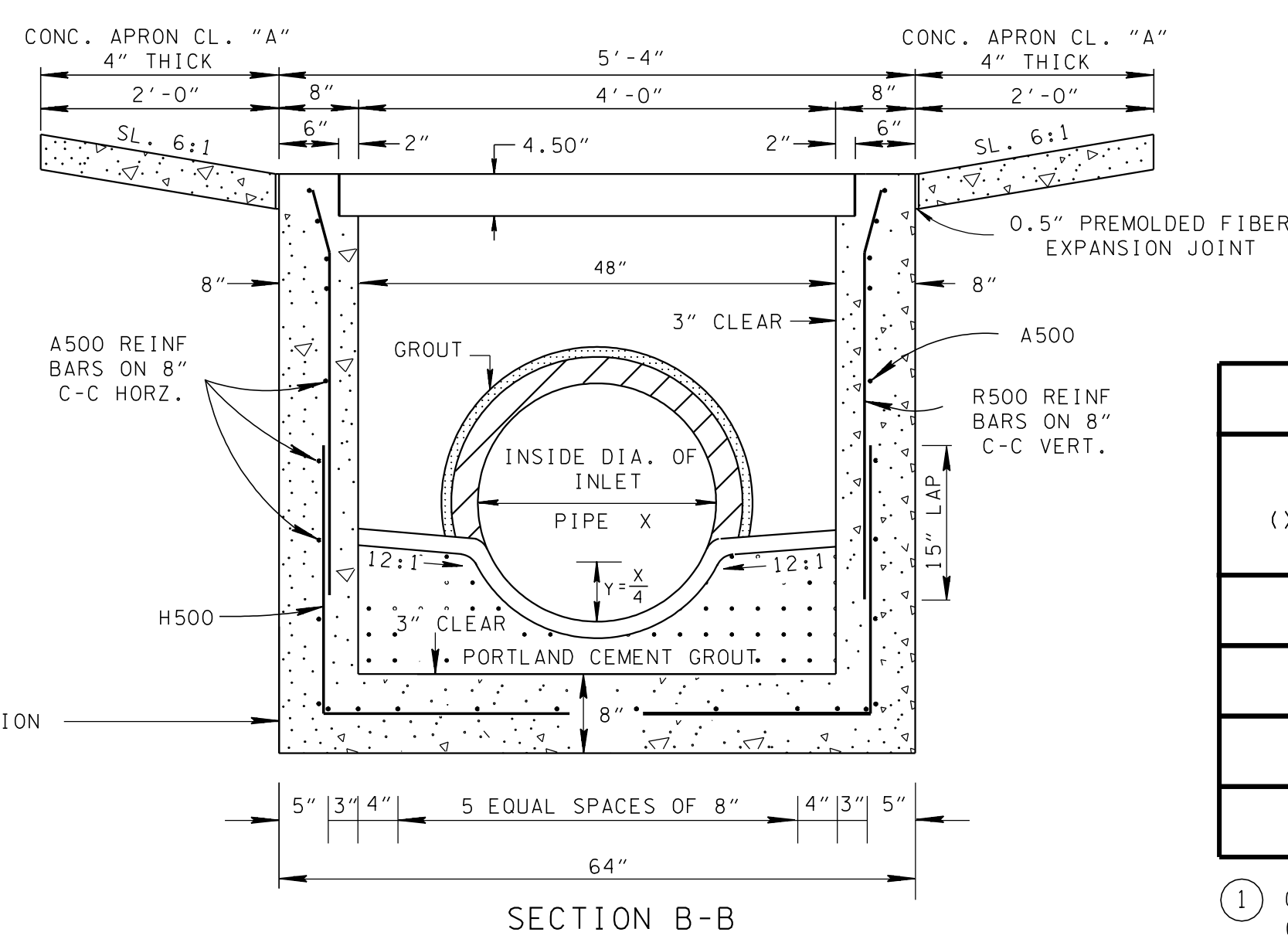
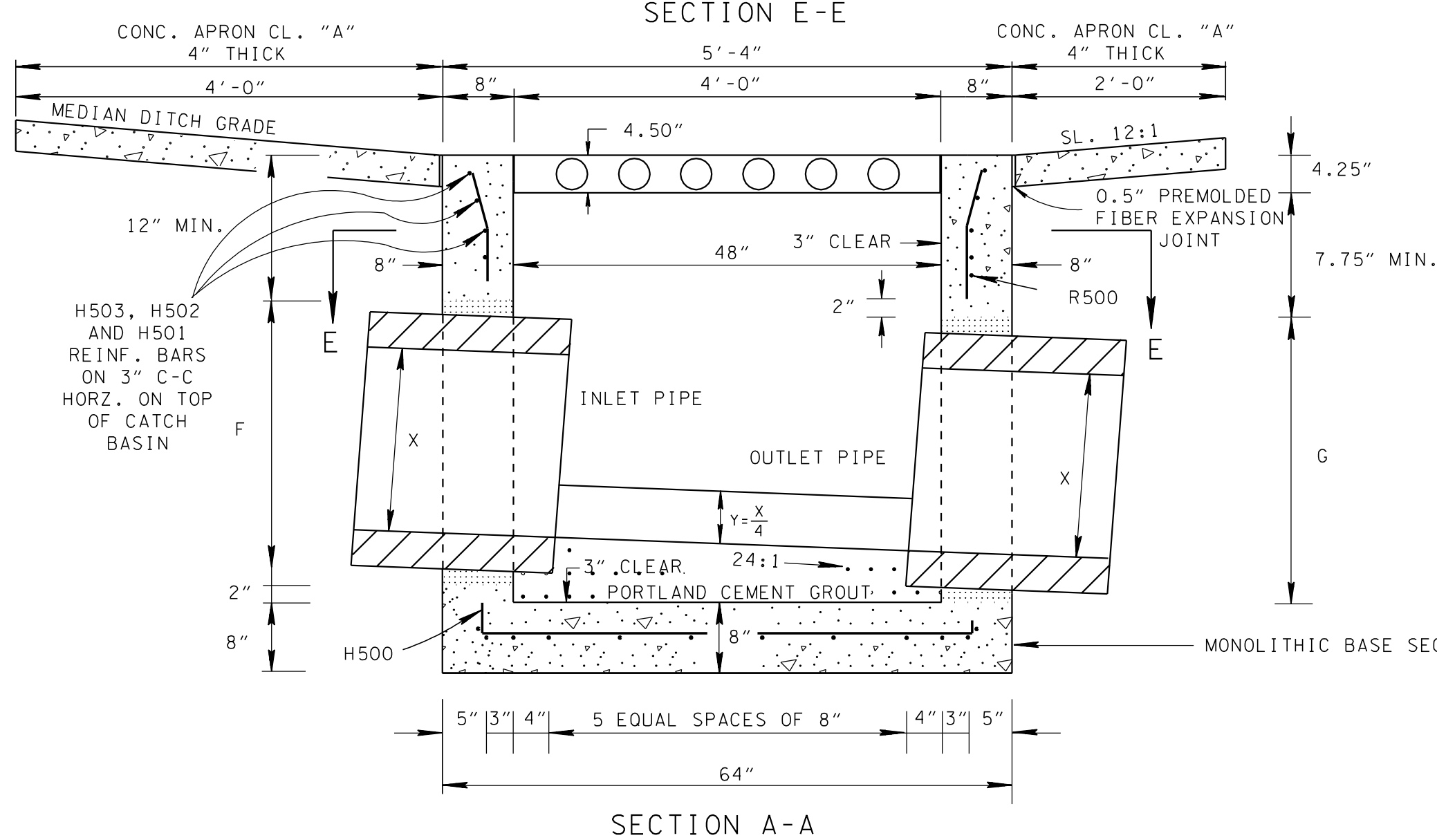
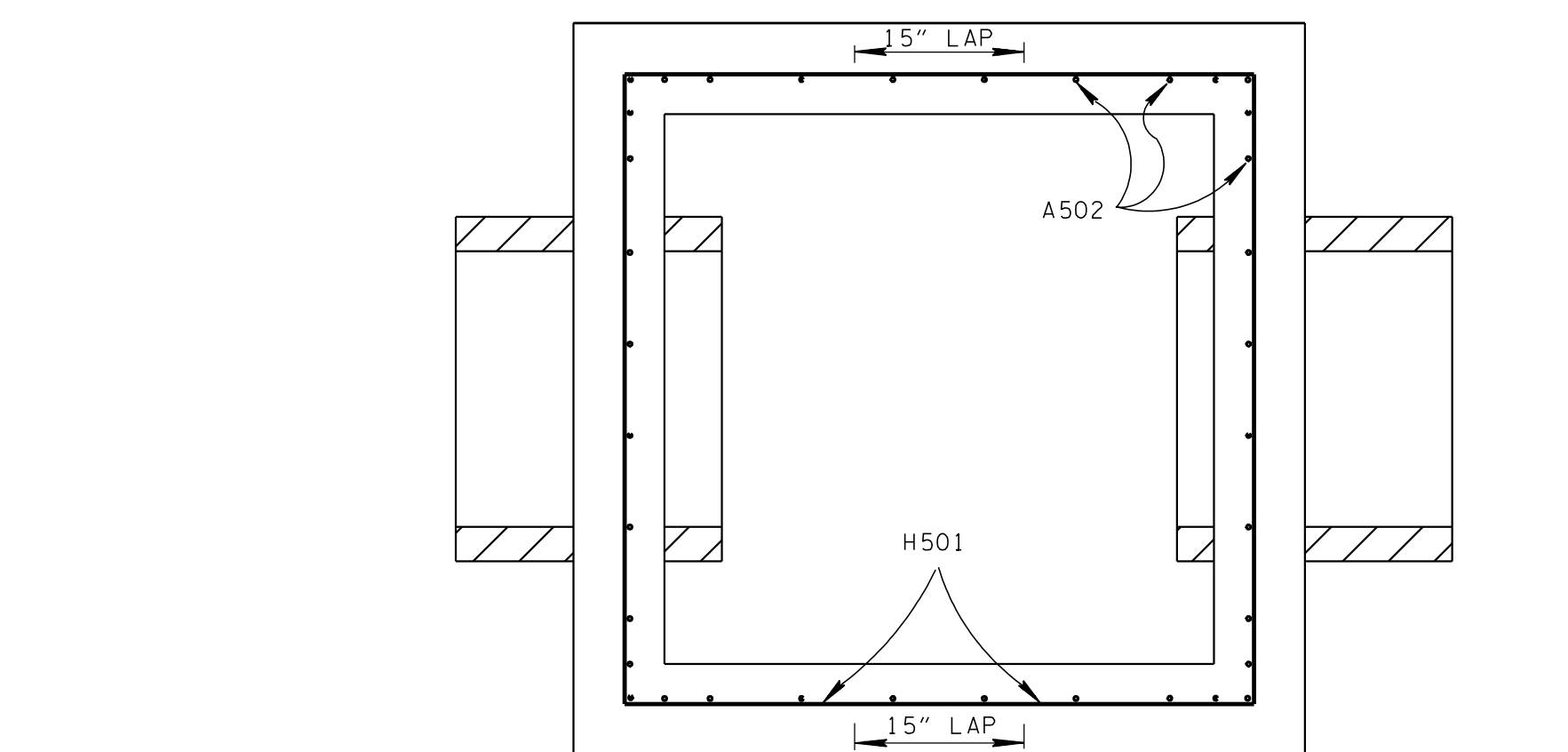
| INSIDE DIAMETER (X) OF PIPE (INCHES) | MINIMUM DEPTH - (FEET) |                       |                   |
|--------------------------------------|------------------------|-----------------------|-------------------|
|                                      | CONCRETE PIPE          | CORRUGATED METAL PIPE | POLYETHYLENE PIPE |
| 18                                   | 3.00                   | 2.79                  | 2.92              |
| 24                                   | 3.50                   | 3.29                  | 3.46              |
| 30                                   | 4.08                   | 3.79                  | 4.04              |
| 36                                   | 4.63                   | 4.33                  | 4.54              |

- ① DEPTH MEASUREMENT MADE FROM TOP OF GRATE TO OUTLET FLOW ELEVATION BASED ON INLET AND OUTLET PIPES BEING THE SAME DIAMETER, IF OUTLET PIPE IS GREATER ADJUSTMENT IN DEPTHS MUST BE MADE TO ACCOMMODATE THIS SITUATION.
- ② MINIMUM DEPTH TO BE REDUCED BY 0.12' WHERE ONLY OUTLET PIPE EXISTS.
- ③ TO DETERMINE FLOOR OF CATCH BASIN ELEVATION, WHEN INLET AND OUTLET PIPES ARE THE SAME SIZE, ADD PIPE WALL THICKNESS PLUS 1.5" TO THE ABOVE MINIMUM DEPTHS.

### CUT-OUT HOLES FOR INLET & OUTLET PIPES

| INSIDE DIAMETER (X) OF PIPE (INCHES) | DIAMETER OF CUT-OUT HOLES F & G - (INCHES) |                       |                   |
|--------------------------------------|--|-----------------------|-------------------|
|                                      | CONCRETE PIPE                              | CORRUGATED METAL PIPE | POLYETHYLENE PIPE |
| 18                                   | 26   | 21                    | 24                |
| 24                                   | 32   | 27                    | 31                |
| 30                                   | 40   | 33                    | 39                |
| 36                                   | 47   | 40                    | 45                |

- ① CUT-OUT HOLES FOR PRECAST STRUCTURES TO BE CORED OR FORMED IN ORDER TO OBTAIN A SMOOTH EGED HOLE. SCORED OR ETCHED HOLES WITH REINFORCING STEEL LEFT UNCUOT WILL NOT BE PERMITTED.



MINOR REVISION -- FHWA APPROVAL NOT REQUIRED.

STATE OF TENNESSEE  
DEPARTMENT OF TRANSPORTATION

STANDARD  
4' X 4' SQUARE  
CONCRETE NO. 39  
CATCH BASIN

1-19-98 D-CB-39S